

LED Floodlight

FL16 50-300W

180-210lm/w



5 Years Warranty

CE RoHS

Specification

Model	50W	80W	100W	150W	200W	250W	300W
PF	>0.95						
Input Voltage(V)	100-240VAC						
CRI	Ra70 80						
Efficacy (lm/W)±5%	180-190lm/W (30°/60°/90°/T2M/T3M) ,200-210 lm/W (120°) 160-170lm/W (25°×75°/35°×75°/30°×105°)						
Lumen Output±5%	10500LM	16800LM	21000LM	31500LM	42000LM	52500LM	63000LM
CCT (K)	3000K / 3500K / 4000K / 4500K / 5000K / 5700K/6000K/RGB						
Dimming	Non-Dimming/0-10V Dimming/DALI/DMX512						
Beam Angle	30°/60°/90°/120°/T2M/T3M/25°×75°/35°×75°/30°×105°						
Material	Aluminum + Glass						
Operating Temperature	-40°C ~ 45°C						
Humidity	10%~90%						
Installation	Bracket Mounted						
LED Type	2835						
Power Supply	BECKY/Lifud/Sosen						
Intelligent control	Microwave induction/infrared induction/ Bluetooth control/remote control						
Certification	CE/RoHS						
IP Rate	IP 66						
IK Rate	IK 08						
Warranty	5 Years						

Packing

Model No.	Power(W)	Size (mm)	Carton Size (mm)	G.W / 1PCS±0.2KG
SA-FLA00-50Y-XX-FL16	50W	301*248*47mm	305*255*60mm	1.9KG
SA-FLA00-80Y-XX-FL16	80W	301*248*47mm	305*255*60mm	1.9KG
SA-FLA00-100Y-XX-FL16	100W	352*299*47mm	390*320*105mm	2.4KG
SA-FLA00-150Y-XX-FL16	150W	402*351*50mm	440*370*105mm	3.2KG
SA-FLA00-200Y-XX-FL16	200W	452*351*50mm	490*370*105mm	3.6KG
SA-FLA00-250Y-XX-FL16	250W	502*401*52mm	540*420*105mm	5.0KG
SA-FLA00-300Y-XX-FL16	300W	502*401*52mm	540*420*105mm	5.0KG

Description:

Model name description: SA-FLA00-50Y-XX-FL16.

"SA" indicates the name of company producing the product;

"FL" indicates the product is a LED Flood Light;

"A00" indicates the voltage of the product;

"50" indicates the power of the product;

"Y" indicates the colour temperature of the product.

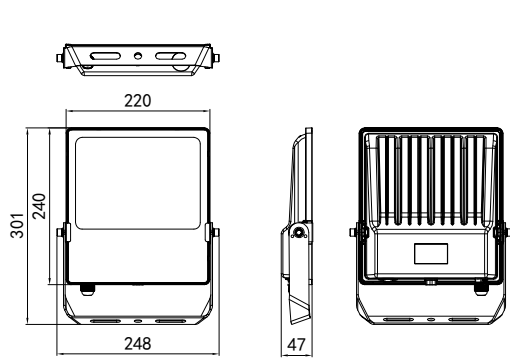
Where the "Y" can be N=3000K, M=3500K, L=4000K, K=4500K, C=5000K, H=5700K represents color temperature;

Where XX represent light angle, it can be 30°/60°/90°/120°/T2M/T3M/35°×75°/30°×105° ;

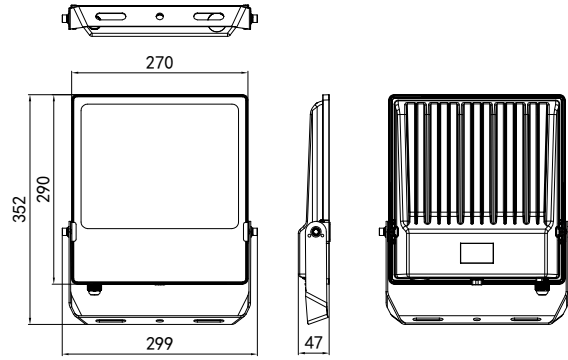
"FL16" indicates the shape size;

Dimension drawing

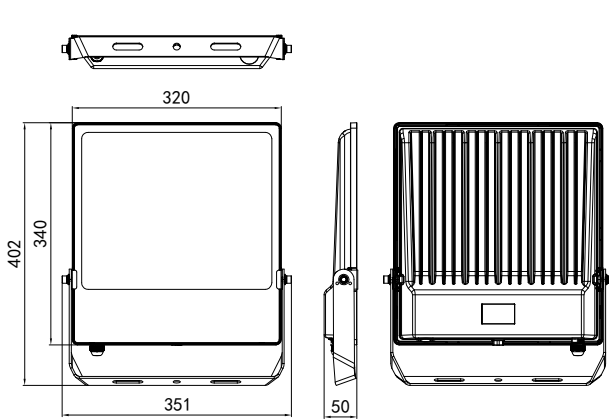
unit:mm



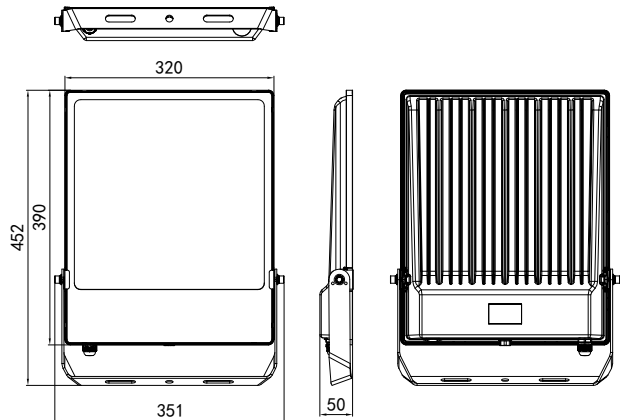
50-80W



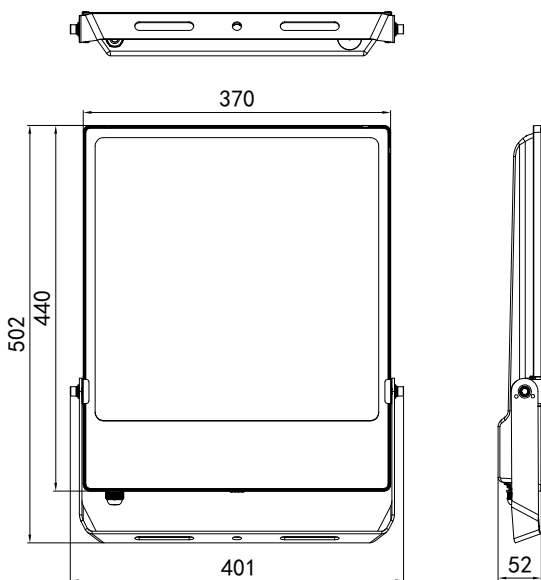
100W



150W



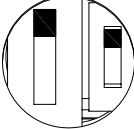
200W



250-300W

Dimming and color adjustment

3000K
4000K
5000K



Color temperature(K)
Dial code adjustment
3000K-4000K-5000K

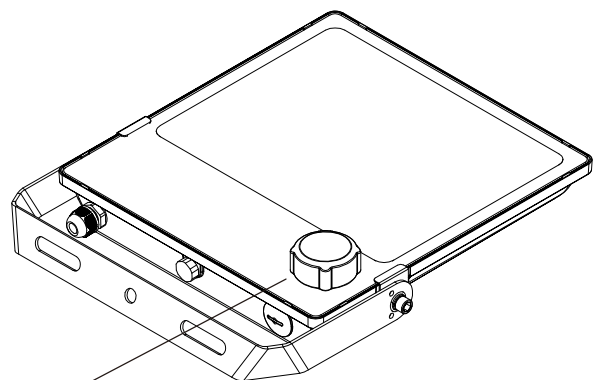
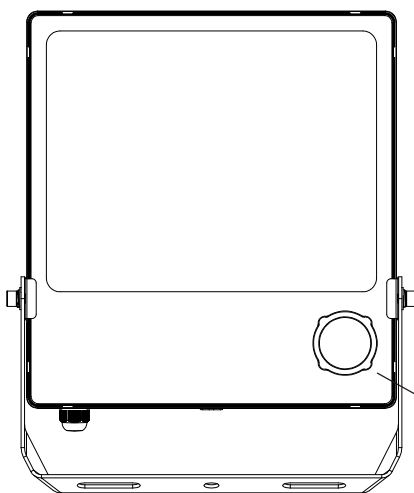
50%
75%
100%

power(W)
Dial code adjustment

50W/35W/25W
80W/60W/40W
100W/75W/50W
150W/110W/75W
200W/150W/100W
250W/185W/125W
300W/225W/150W

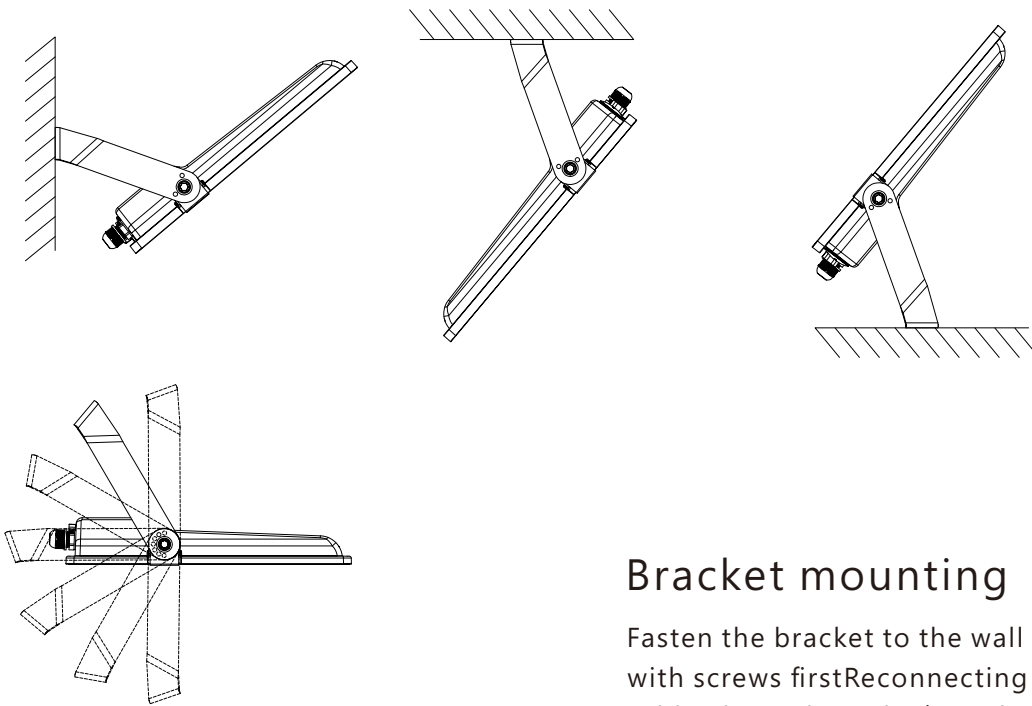


Intelligent control function



Intelligent control function
Microwave induction or
Infrared induction

Installations



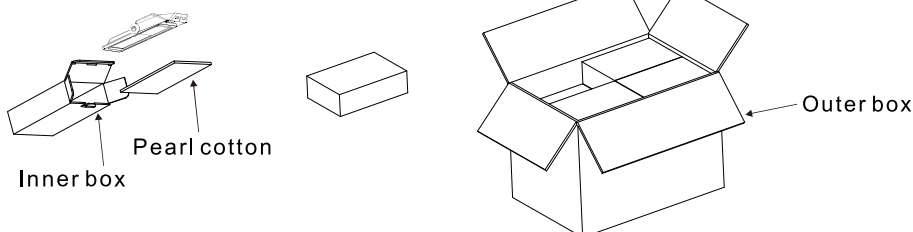
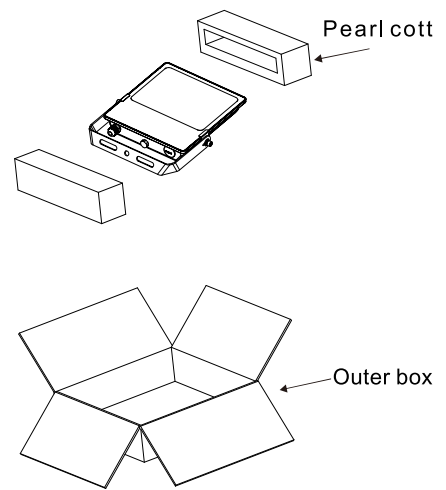
Installation Angle can be adjusted

Bracket mounting

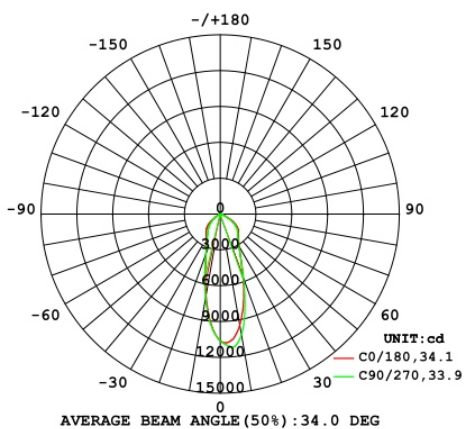
Fasten the bracket to the wall with screws first. Reconnecting cable. Then adjust the lamp body to the correct direction.

Packing

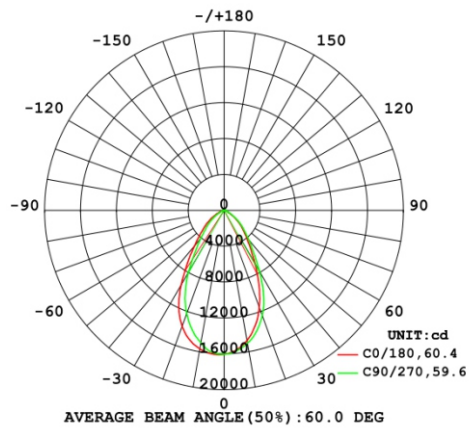
Product model	Package size		Packing quantity	Gross weight
SA-FLA00-50Y-XX-FL16	Inner box	305*255*60mm	1pcs	1.9kg
SA-FLA00-80Y-XX-FL16	Outer box	340*270*340mm	5pcs	10.5kg
SA-FLA00-100Y-XX-FL16	Outer box	390*320*105mm	1pcs	2.4kg
SA-FLA00-150Y-XX-FL16	Outer box	440*370*105mm	1pcs	3.2kg
SA-FLA00-200Y-XX-FL16	Outer box	490*370*105mm	1pcs	3.6kg
SA-FLA00-250Y-XX-FL16 SA-FLA00-300Y-XX-FL16	Outer box	540*420*105mm	1pcs	5.0kg



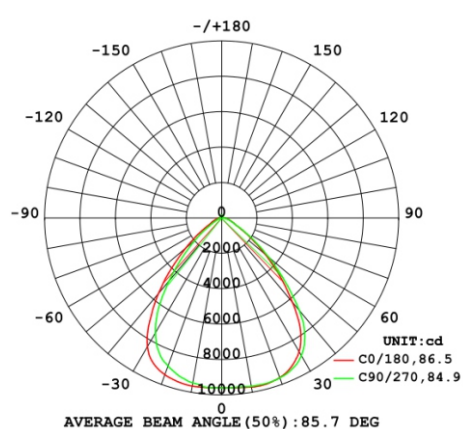
Beam angle



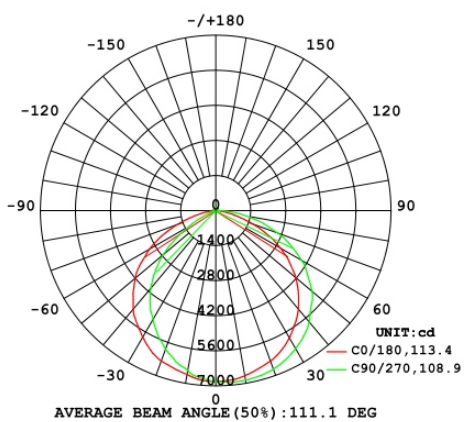
30°



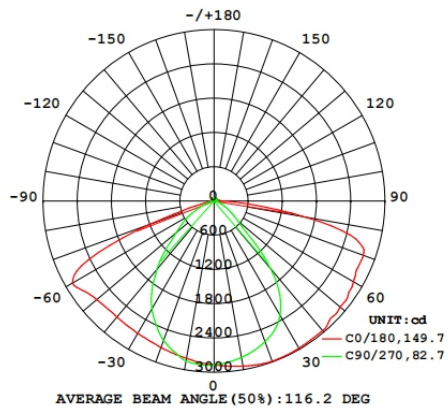
60°



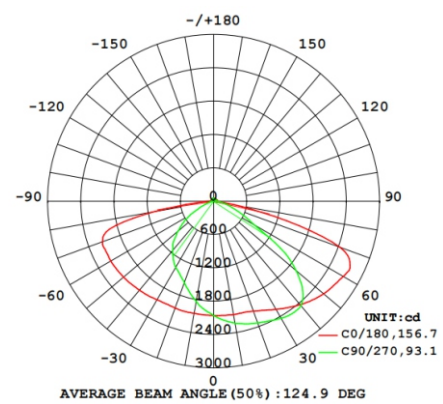
90°



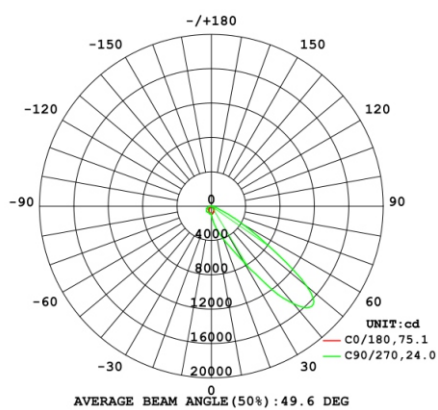
120°



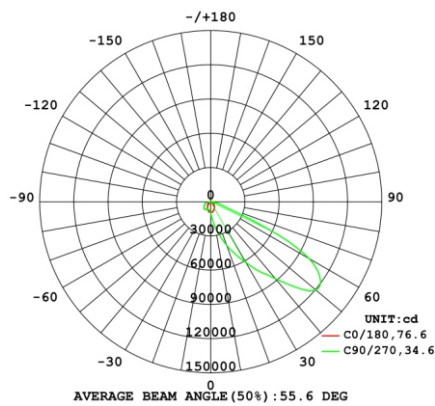
T2M



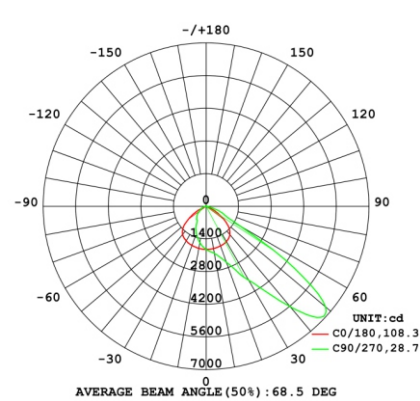
T3M



25×75°



35×75°



30×105°

Application scenarios

- Billboard
- Road
- Municipal square
- Bridge tunnel
- Sports stadium
- Construction site