

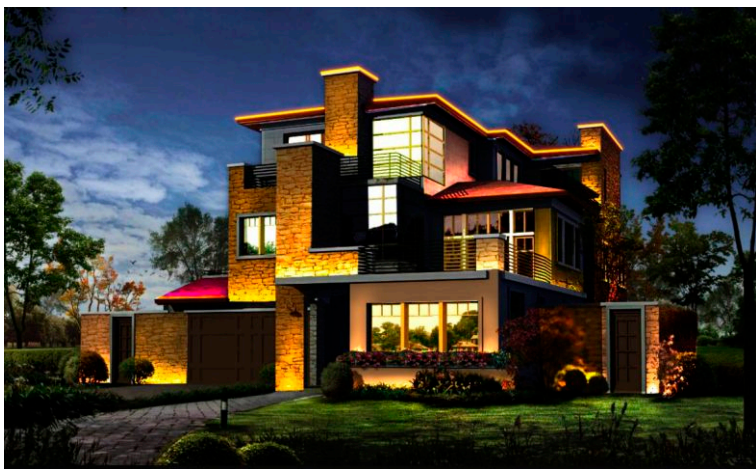
Features

- Aluminum die-cast alloy body and toughened glass,durable and completely corrosion resistance.
- Good heat dissipation performance.
- IP rating is up to IP66.
- High utilization of power,PF ≥ 0.9 .Wide range of input voltage:AC200-240V
- Compared with traditional ones,Energy-saving percentage: 60%.
- Service life over 50,000 hours.
- Follow RoHS and CE Certified.



Main Applications

- bars,restaurants,clubs,hotels,stages
- historical and modern buildings
- museums,art galleries
- sculptures and plastic arts



Photo



100W



150W



200W



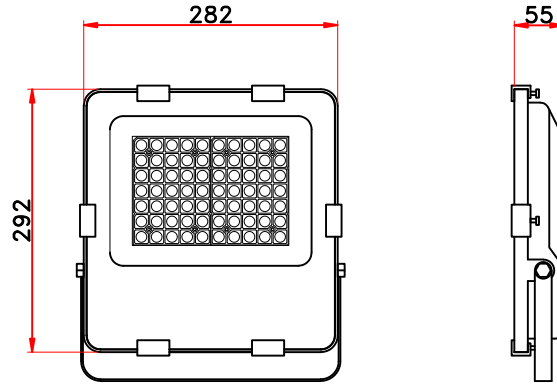
Philips LED Driver

SMD2835 Leds

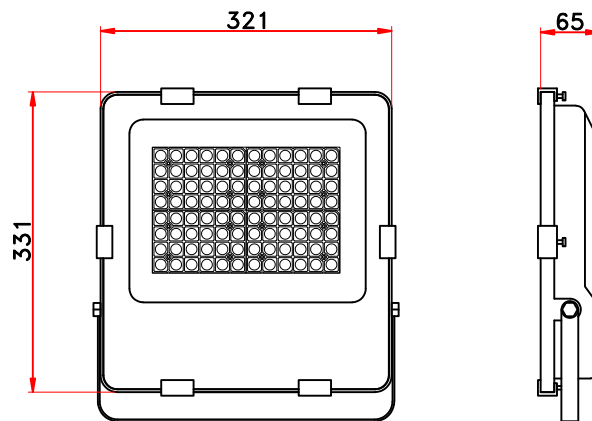


Dimensions(Unit:mm)

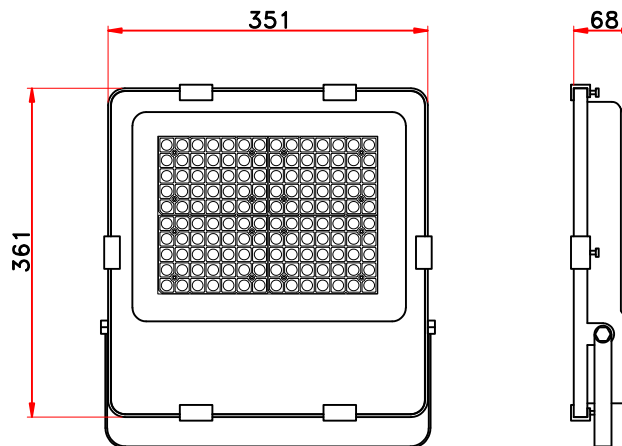
100W



150W



200W



Electrical/Optical Characteristics/Specifications

MODEL:STG-100W-230V

Input Voltage	Max.Current	Operating Voltage	Constant Current	Power Consumption	Power Factor	
AC200-240V	0.5A	DC84V	1.05A	100W	≥0.95	
LED Type	LED Q'ty	CRI	CCT	2900-3100K	4000-4500K	5500-6000K
			Luminous efficiency	140LM/W	150LM/W	150LM/W
SMD2835	140PCS	≥80Ra	Luminous flux	14000LM	15000LM	15000LM
			Beam Angle	90°		
Life Time	Certifications	IP Code	Luminaires Class	product dimension	N.W	
50.000Hours	CE,RoHS	IP66	Class I	L282*W55*H292mm	3.0Kg	
Operating Temperature	Storage Temperature	Humidity Operating	Humidity Storage	Packing dimension	G.W	
-20°Cto+55°C	-30°Cto+55°C	10-80%RH	10-90%RH	L328*W70*H363mm	3.2Kg	
Outer carton package	5*1layer=5PCS/carton,K=K corrugated paper, L370*W345*H380mm,GW:17KG					

MODEL:STG-150W-230V

Input Voltage	Max.Current	Operating Voltage	Constant Current	Power Consumption	Power Factor	
AC200-240V	0.75A	DC132V	1.05A	150W	≥0.95	
LED Type	LED Q'ty	CRI	CCT	2900-3100K	4000-4500K	5500-6000K
			Luminous efficiency	140LM/W	150LM/W	150LM/W
SMD2835	192PCS	≥80Ra	Luminous flux	21000LM	22500LM	22500LM
			Beam Angle	90°		
Life Time	Certifications	IP Code	Luminaires Class	product dimension	N.W	
50.000Hours	CE,RoHS	IP66	Class I	L321*W65*H331mm	3.7Kg	
Operating Temperature	Storage Temperature	Humidity Operating	Humidity Storage	Packing dimension	G.W	
-20°Cto+55°C	-30°Cto+55°C	10-80%RH	10-90%RH	L368*W80*H410mm	3.9Kg	
Outer carton package	5*1layer=5PCS/carton,K=K corrugated paper, L420*W385*H425mm,GW:20.5KG					

Electrical/Optical Characteristics/Specifications

MODEL:STG-200W-230V

Input Voltage	Max.Current	Operating Voltage	Constant Current	Power Consumption	Power Factor	
AC200-240V	1.0A	DC168V	1.05A	200W	≥0.95	
LED Type	LED Q'ty	CRI	CCT	2900-3100K	4000-4500K	5500-6000K
			Luminous efficiency	140LM/W	150LM/W	150LM/W
SMD2835	280PCS	≥80Ra	Luminous flux	28000LM	30000LM	30000LM
			Beam Angle	90°		
Life Time	Certifications	IP Code	Luminaires Class	product dimension	N.W	
50.000Hours	CE,RoHS	IP66	Class I	L351*W68*H361mm	4.9Kg	
Operating Temperature	Storage Temperature	Humidity Operating	Humidity Storage	Packing dimension	G.W	
-20°Cto+55°C	-30°Cto+55°C	10-80%RH	10-90%RH	L398*W83*H435mm	5.2Kg	
Outer carton package	4*1layer=4PCS/carton,K=K corrugated paper, L415*W350*H450mm,GW:21.6KG					

Notice

Installation information:

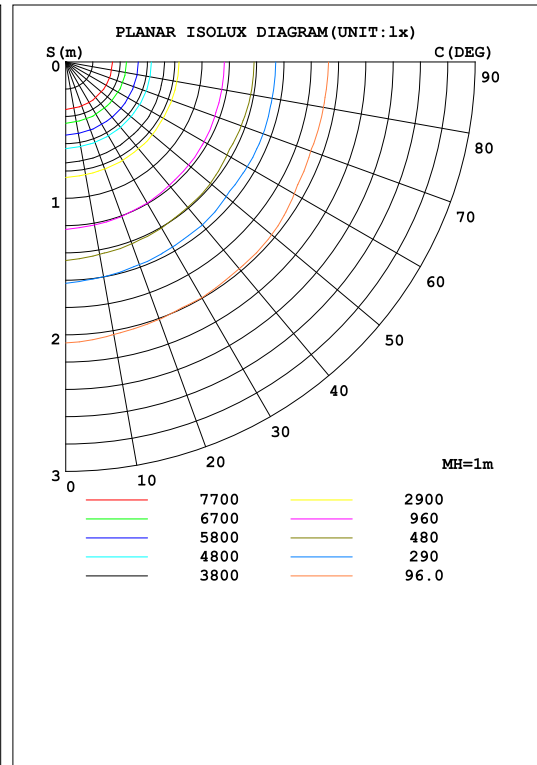
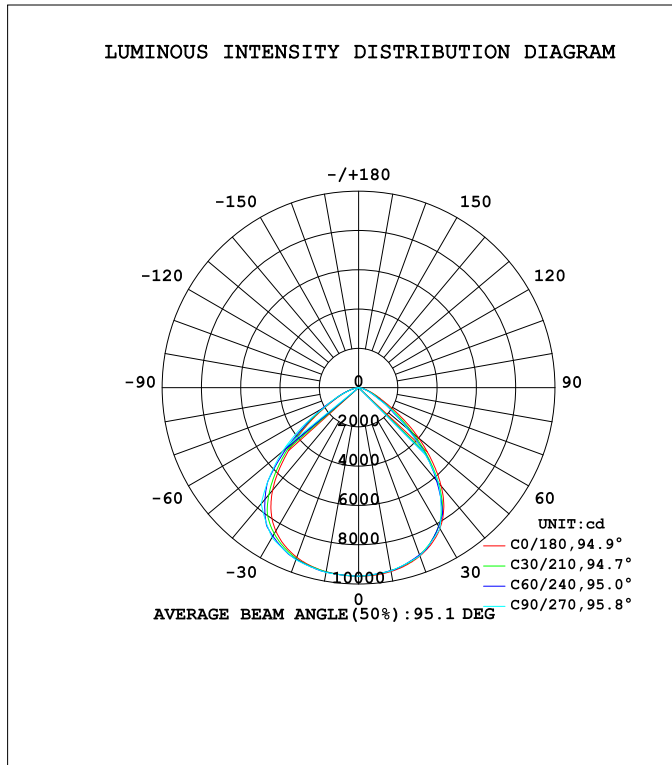
Power must be cut off before installation, fix it on the position of installation holes, connection of the power supply must be sealed.

- 1.Please read the specification first, to make sure the service environment matches the condition in the specification before using.
- 2.Please confirm the applicable power supply before using.
- 3.Make sure the switch of product is off before connect to the power supply to prevent electric shock.
- 4.Operation against rules may damage your property even harm to your personal safety.
- 5.Preliminarily estimate required quantity of flood lights, then according to the power rating of single flood light to figure out the total power and design power supply plan.
- 6.Dangerous high voltage, Non-professionals are not allowed to maintain the products.

If the exterior flexible cable or wire is damaged, it must exchange by the supplier, its agent or other similar qualified personnels to avoid dangers.

Test report

150W



Notes:

1. Please always use the light out of its package.
2. Before starting use of the light, please check if the light was damaged during transportation. If any damage shown, please DO not install or use it.
3. Any maintenance should be performed by trained professionals only.
4. Keep packaging material away from the reach of children and pets. Risk of suffocation!
5. Caution. The packaging contains small parts that may be swallowed by children.
6. Never leave children unattended in the vicinity of the lights and do not allow them to play with electrical devices.
7. Try to avoid looking directly in the LED beam-especially for extended periods of time. Do not shine the LED light in another person's eyes.
8. Never cover the lights by other objects.
9. Never allow the light to come into contact with open flames or external heat sources.
10. The products need to re-repair inspection or special treatment of retirement after service time
11. Non-professionals are not allowed to disassemble and maintain the products. We have the right not to provide after-slae service if unauthorized disassembly and maintenance happens to the products.